

## Features

### IDNet addressable communications supply both data and power over a single wire pair to provide\*\*

- Supervised Class B monitoring of normally open, dry contacts
- Total wiring distance from IAM to supervision resistor(s) of up to 500 ft (152 m)
- Monitored connection is compatible with Autocall A2081-9044 Overvoltage Protectors for outdoor wiring or electrically noisy applications
- For use in indoor locations up to 158° F (70° C) such as attic spaces or similar applications

### For use with following Autocall control panels

- Model Series 4007ES, 4010ES, and 4100ES fire alarm control panels for IDNet communications

### Model A4090-9001

- Enclosed design minimizes dust infiltration
- Mounts in standard single gang electrical box
- Screw terminals for wiring connections
- Visible LED flashes to indicate communications
- Optional covers are available to allow LED to be viewed after installation (requires mounting bracket, ordered separately)

### Model A4090-9051

- Encapsulated design for extended exposure to high humidity (LED is not present on this model)
- Color coded 18 AWG leads for wiring

### IDNet communications provides current limited monitoring

- Provides monitoring of tamper switch (supervisory) and waterflow switch (alarm) on same circuit using one point
- Available with IDNet communications only

### Multiple operation modes are available and are selectable at the control panel

- Contact closure status can be tracked
- Momentary contact closure conditions can be selected at the panel to be latched or tracked, UL listed to Standard 864

### UL listed to Standard 864

## Description

### Individual addressable modules (IAMs)

receive both power and communications from a two-wire IDNet circuit. They provide location specific addressability to a single initiating device (such as single station smoke detector alarm contacts or heat detector contacts) or multiple devices at the same location by monitoring normally open dry contacts and the wiring to an end-of-line resistor.

### SKU A4090-9001

A4090-9001 is packaged in a thermoplastic housing and provides screw terminal connections and a status indicating LED.

### SKU A4090-9051

A4090-9051 is an encapsulated package with wire leads. It does not provide a status indicating LED.

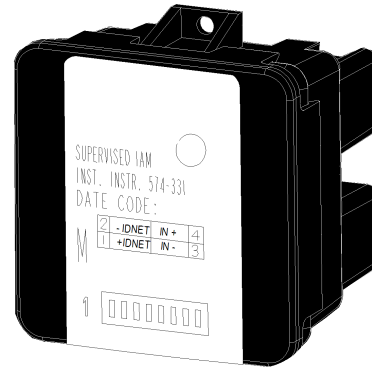


Figure 1: A4090-9001 Supervised IAM

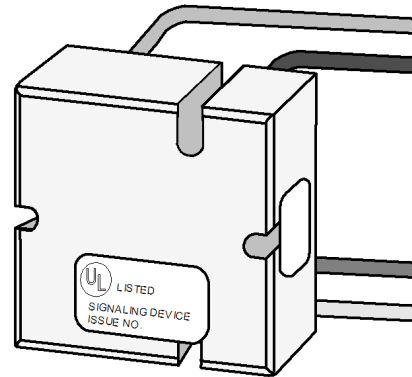


Figure 2: A4090-9051 Supervised IAM

## Operation

### Contact Closure

Closure of the monitored contact(s) initiates an alarm or other response as programmed at the fire alarm control panel. An open in the monitored circuit wiring will cause a trouble to be reported.

### Panel Selections

Selections can be made at the control panel to maintain the alarm condition if the initiating device contacts are momentary, such as from a rate-of-rise heat detector, or to track the device contact status.

### Current Limited Operation Applications

For use with IDNet communications only, these IAMs can provide quad-state sensing of normal, open circuit, short circuit, and current limited conditions. (Program type is "T-sense.") With the proper end-of-line and current limiting resistors, dual functions such as tamper switch and waterflow switch monitoring can be determined and communicated by a single addressable point.

\* This product has been approved by the California State Fire Marshal (CSFM) pursuant to Section 13144.1 of the California Health and Safety Code. See CSFM Listings 7300-2269:0507 and 7300-2269:0567 for allowable values and/or conditions concerning material presented in this document. Additional listings may be applicable; contact your local product supplier for the latest status.

## IAM Product Selection

**Table 1: IAM Product Selection**

SKU	Description
A4090-9001	Supervised IAM, mounted in thermoplastic housing with screw terminals; see applicable options below
A4090-9051	Supervised IAM, encapsulated with wire leads

**Table 2: Optional Trim Plates and Mounting Bracket for Model A4090-9001**

SKU	Description
A4090-9806	For semi-flush mounted box
A4090-9807	For surface mounted box
A4090-9810	Mounting bracket, mounts IAM to electrical box and provides screw holes for trim plate, required for optional trim plates

**Table 3: End-of-Line Resistor Harnesses (ordered separately as required)**

SKU	Reference no.	Description
A4081-9004	733-886	6.8 kΩ, 1/2 W; Standard end-of-line resistor harness for N.O. contact supervision
A4081-9003	733-896	4.7 kΩ, 1/2 W
A4081-9005	733-984	1.8 kΩ, 1/2 W

## Specifications

**Table 4: Electrical**

Specification	Rating
Power and Communications	IDNet, auto selected, 1 address per IAM
Input Requirements	Normally open, dry contacts
Wire Connections	A4090-9001 Screw terminals for in/out wiring, 18 to 14 AWG wire (0.82 mm <sup>2</sup> to 2.08 mm <sup>2</sup> )
	A4090-9051 Color coded wire leads, 18 AWG (0.82 mm <sup>2</sup> ), 8" long (203 mm)
Reference Documents	Installation Instructions 574-331AC for A4090-9001; 579-572AC for A4090-9051
	Field Wiring Diagrams 842-073 for IDNet operation

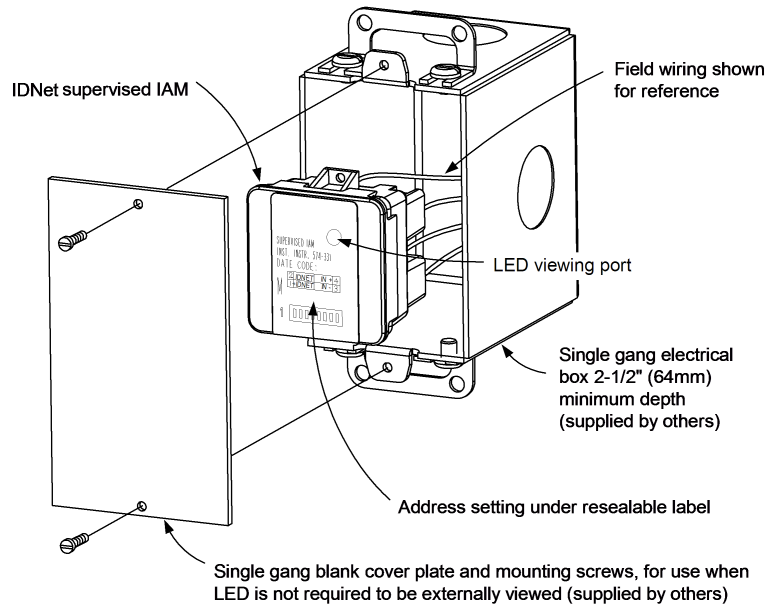
**Table 5: Wiring Distances**

Specification	Rating
Distance from IAM to Contacts	500 ft (152 m) maximum without protectors 400 ft (122 m) maximum with A2081-9044 Overvoltage Protectors
Wiring Distance Reference per channel, IDNet Communications	2500 ft (762 m) maximum from fire alarm control panel 10,000 ft (3048 m) maximum total wiring distance (including T-Taps)

**Table 6: Mechanical**

Specification	Rating
Dimensions	A4090-9001 1-9/16" W x 1-3/4" H x 1-1/4" D (40 mm x 44 mm x 32 mm)
	A4090-9051 1-9/16" W x 1-9/16" H x 9/16" D (40 mm x 40 mm x 14 mm)
Housing Material, A4090-9001	Black thermoplastic
Encapsulation Material, A4090-9051	Epoxy, beige
Temperature Range	32° to 158° F (0° to 70° C); intended for indoor operation
Humidity Range	Up to 93% RH at 100° F (38° C)

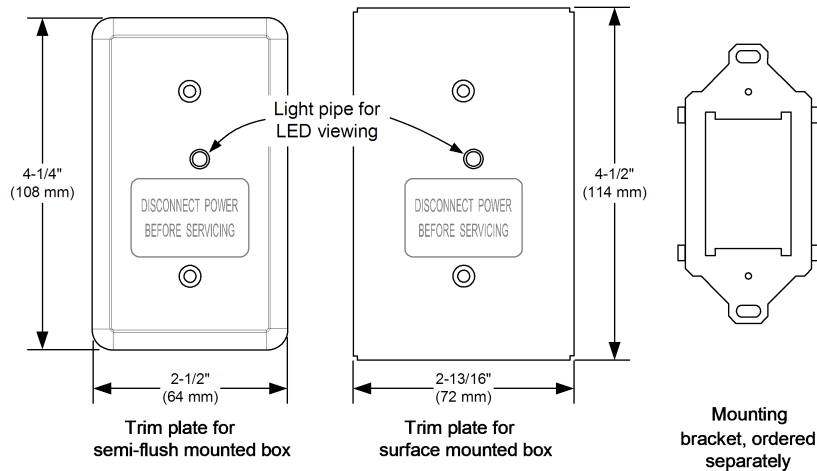
**Mounting Information**



**Figure 3: Mounting Reference, Single Gang Blank Cover Plate**

**Note:**

Figure 3 shows A4090-9001 IDNet supervised IAM.



**Figure 4: Optional Trim Plates and Mounting Bracket for Visible LED**

**Note:**

Figure 4 shows the following:

- A4090-9806, Trim plate for semi-flush mounted box
- A4090-9807, Trim plate for surface mounted box
- A4090-9810, Mounting bracket, ordered separately

## A4090-9051 Mounting Information

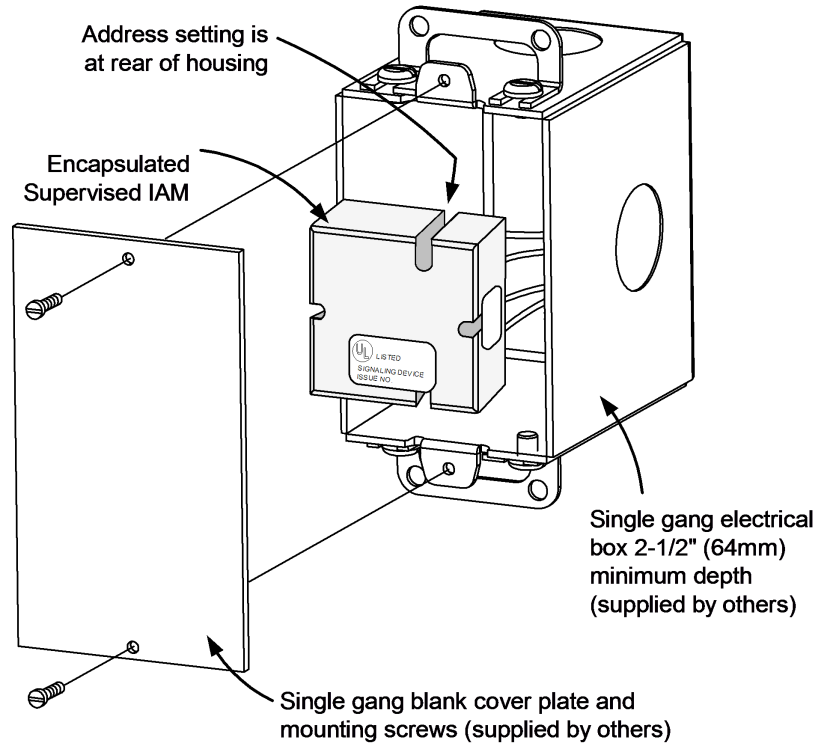


Figure 5: A4090-9051 Mounting Information

**Note:**

Figure 5 shows a A4090-9051 Encapsulated Supervised IAM.