

ALSD1

Siren Driver

Altronix ALSD1 is a high output, very low current draw dual channel siren driver. It is designed to work with alarm panels with limited current capability.



ALSD1

Specifications

Input

Voltage	6VDC or 12VDC operation
Current Draw	Ranges from 0.5A to 1.8A, depending on speaker impedance and supply voltage

Operation

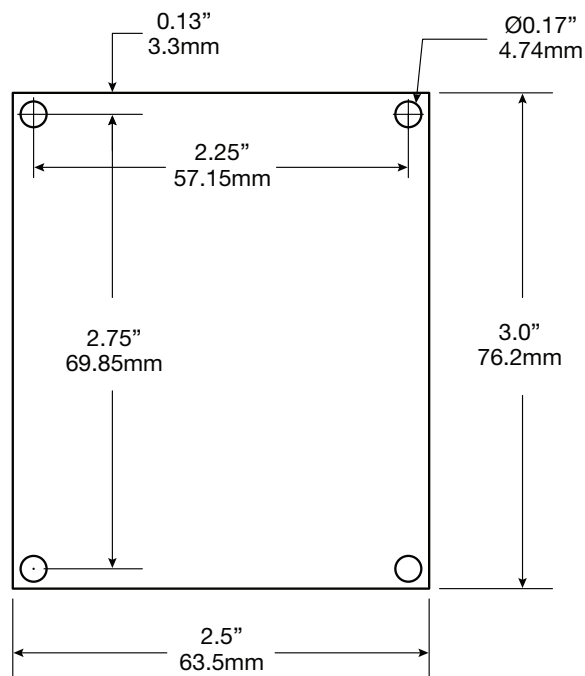
Two (2) channel operation - steady or yelp
Parallel or series speaker wiring
113 dB/10'/6V - 8 Ohms
115 dB/10'/6V - 4 Ohms
116 dB/10'/12V - 8 Ohms
120 dB/10'/12V - 4 Ohms

Physical and Environmental

Dimensions (L x W x H)	2.5" x 3" x 1.125" (63.5mm x 72.6mm x 28.6mm)
Product Weight	0.08 lb. (0.04 kg)
Shipping Weight	0.1 lb. (0.05 kg)
Temperature	
Operating	-25°C to 55°C (-13°F to 131°F)
Storage	-25°C to 70°C (-13°F to 158°F)
Relative Humidity	85% +/-5%.
Mounting hardware	included

Board Dimensions (L x W x H) and Drawing

5.25" x 3.25" x 1" (133.4mm x 82.6mm x 25.4mm)



Lifetime Warranty